



P/N: 40ST1024X DATA SHEET

Feature



- IEEE 802.3 Ethernet compatible.
- 100 Base-TX Surface mountable.
- Design for dual-port repeater and Ethernet switching HUB application.
- Customer designs available for specific application.
- Operating temperature range :0°C to +70°C.
- Storage temperature range: -25°C to +125°C.

Electrical Specifications @ 25°C

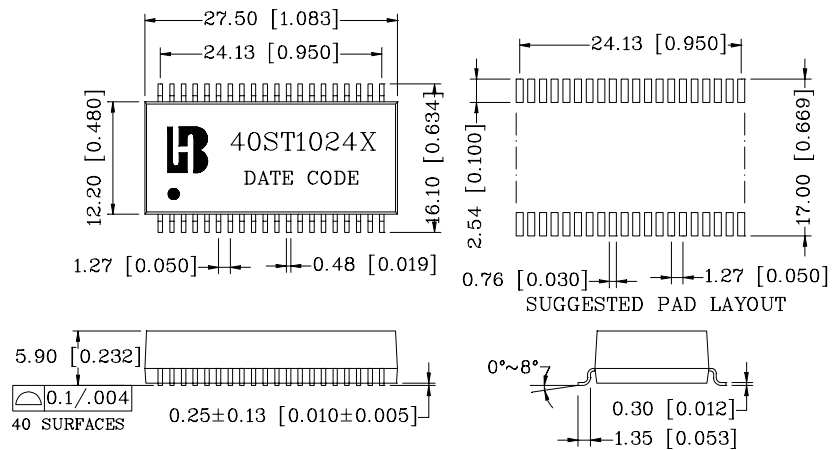
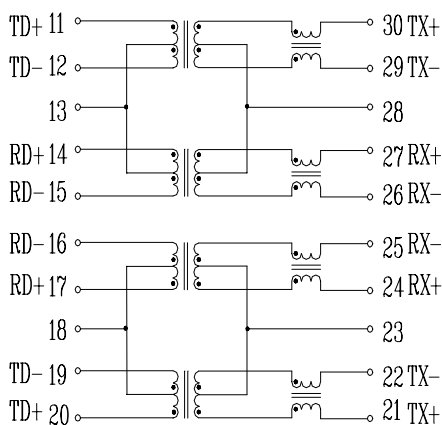
| Part Number | Turns Ratio (±5%) | | OCL(uH Min) @100KHz/0.1V with 8mA DC Bias | L.L (uH Max) | C _{www} (pF Max) | Rise Time (nS Typ) | HI-POT (Vrms) |
|-------------|-------------------|---------|---|-----------------|------------------------------|-----------------------|------------------|
| | TX | RX | | | | | |
| 40ST1024X | 1CT:1CT | 1CT:1CT | 350 | 0.4 | 56 | 3.0 | 1500 |

Continue

| Part Number | Insertion Loss (dB Max) | Return Loss (dB Min) | | | Cross talk (dB Min) | | DCMR (dB Min) | | |
|-------------|----------------------------|-------------------------|-----------|----------|------------------------|-----------|------------------|-------|--------|
| | | 0.3-100MHz | 0.3-30MHz | 30-60MHz | 60-80MHz | 0.3-60MHz | 60-100MHz | 60MHz | 100MHz |
| 40ST1024X | -1.15 | -16 | -12 | -10 | -40 | -35 | -37 | -28 | -25 |

Schematic

Mechanical



Units: mm[Inches] Tolerance: xx.x0±0.25[0.010]
0.xx±0.05[0.002]